



California Faucets®

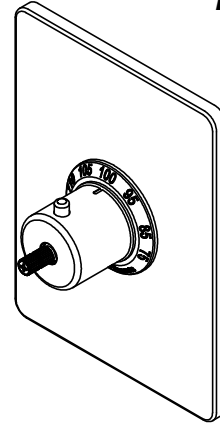
StyleTherm®

3/4" Thermostatic Valve Trim Only

Features

- Over 30 finishes including 11 PVD finishes
 - All brass construction
 - Rectangular faceplate
 - Engraved brass temperature ring
 - 100°F safety stop button with manual override
 - Handles to match all California Faucets series
- See www.calfaucets.com for complete selection

TO-THCN-XX

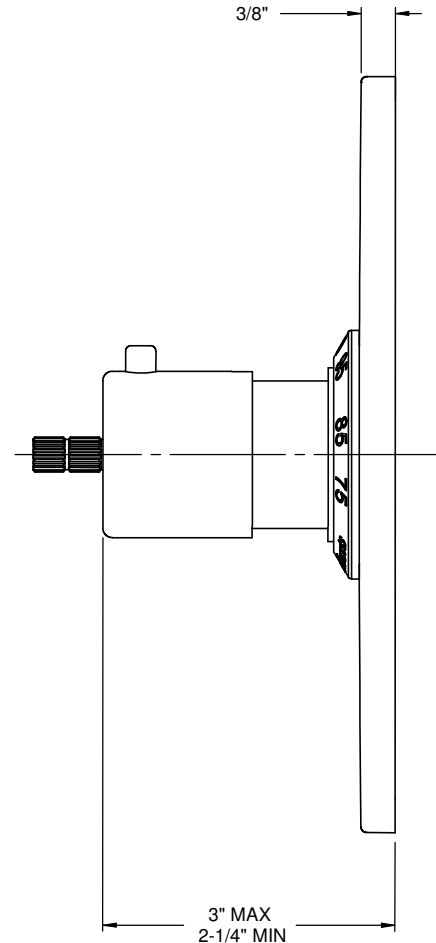
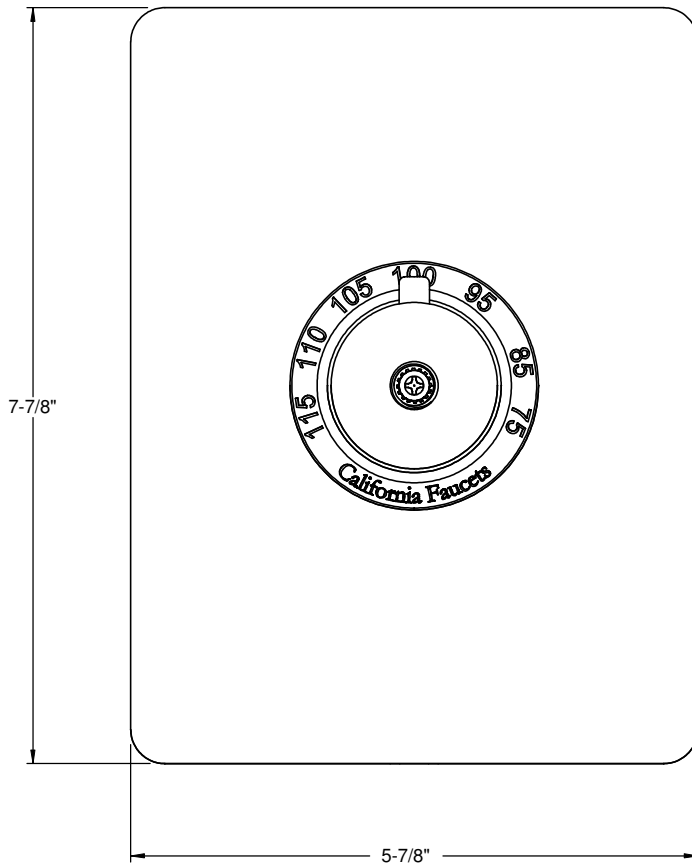


Codes/Standards Applicable

Specified model meets or exceeds the following:

- ASME A112.18.1-2005/CSA B125.1-05
- ASSE 1016
- ADA (with lever handles)
- Listed IAPMO/cUPC®

XX = Series Handle



ALL DIMENSIONS SHOWN TO NEAREST 1/16"