



California Faucets®

Showerhead

3-5/16" 6 JETS

Features

- 1/2" FIP inlet
- Brass construction
- 3-5/16" diameter
- Replace .FR with desired max flow rate:
 - SH-04T.25 for 2.5 gpm
 - SH-04T.20 for 2.0 gpm
 - SH-04T.18 for 1.8 gpm
 - SH-04T.15 for 1.5 gpm

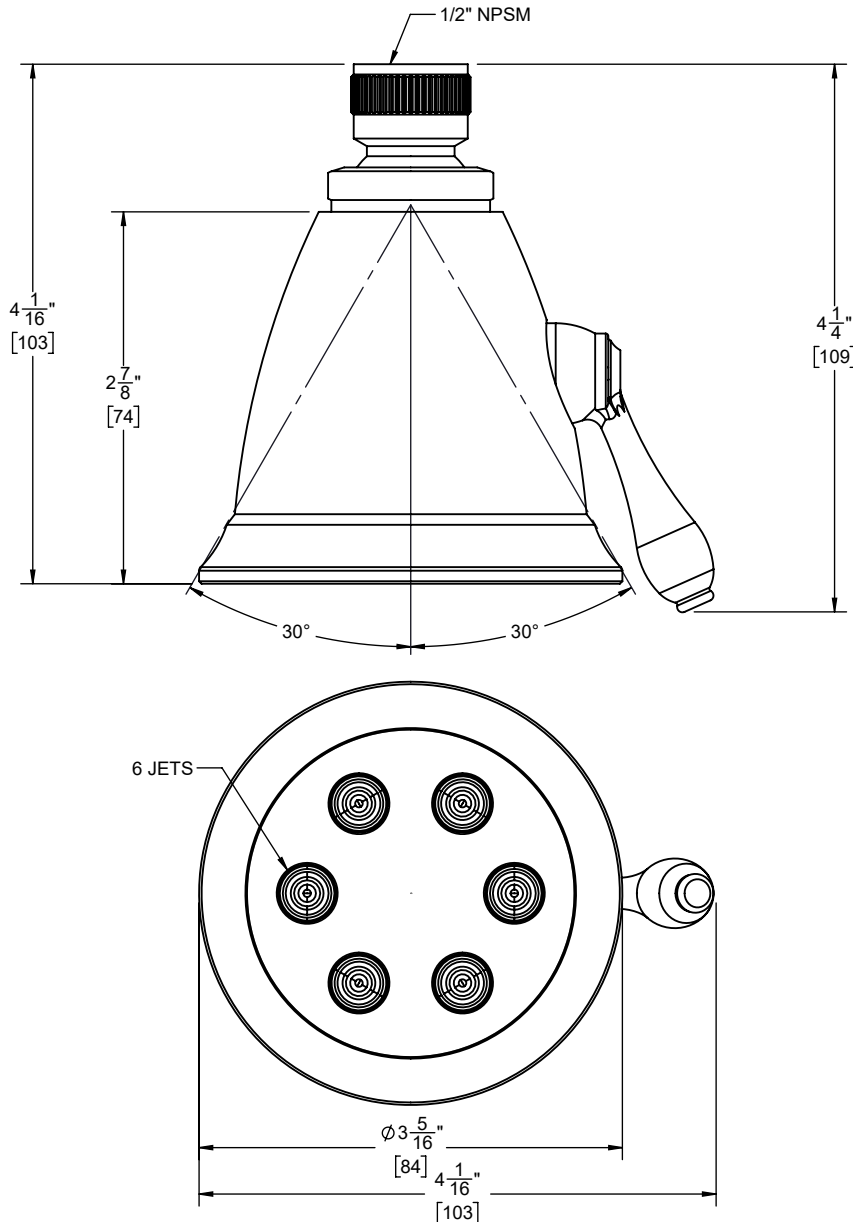
SH-04T.25
 SH-04T.20
 SH-04T.18
 SH-04T.15



Codes/Standards

Product meets or exceeds the following:

- ASME A112.18.1/CSA B125.1
- CEC (1.8 & 1.5 gpm)
- DOE (2.5, 2.0, 1.8, & 1.5 gpm)
- Commonwealth of MA
- EPA WaterSense (2.0 & 1.5 gpm)



SPECIFICATIONS SUBJECT TO CHANGE WITHOUT NOTICE

DIMENSIONS SHOWN TO NEAREST 1/16"
[DIMENSIONS SHOWN TO NEAREST 1MM]