



Features

- Available in 28 finishes including 13 PVD finishes
- All brass construction including sprayhead
- 360° rotating spout
- PDS™ "Positive Docking System" secures sprayhead
- Squeeze lever activates spray mode
- Spray jets have easy-to-clean surface
- Quiet polymer-braided hose with rotating joint
- Ceramic disc cartridge
- Max flow rate: 1.8 gpm (6.8 L/min)

Codes/Standards Applicable

Product meets or exceeds the following:

- ASME A112.18.1/CSA B125.1
- NSF 61, NSF 372, CEC & DOE
- Commonwealth of MA
- ADA compliant

K10-100SQ-XX

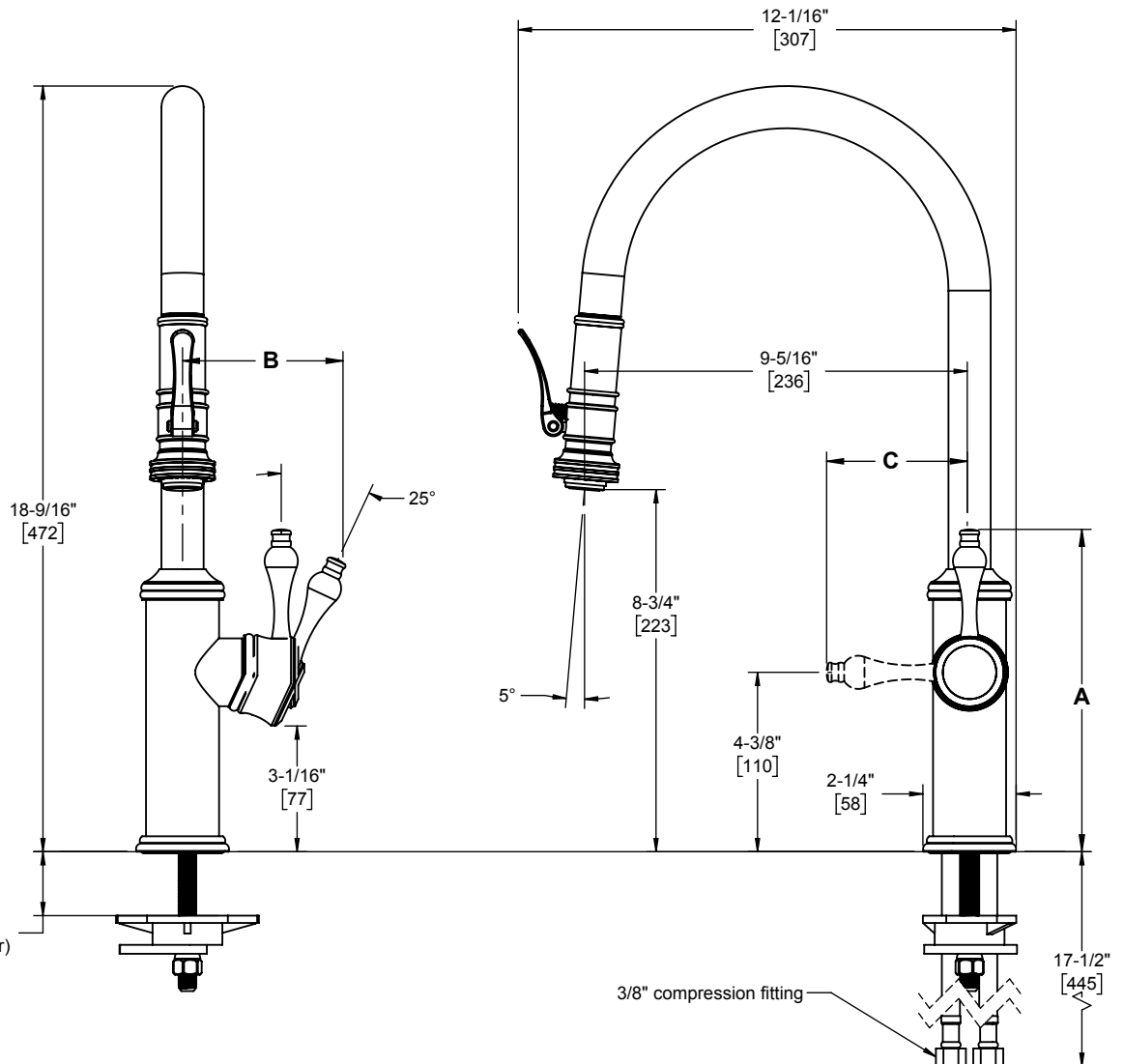


K10-100SQ-42 shown



XX = Series handle

Handle Style	A	B	C
33	7-15/16" [202]	4-1/8" [105]	3-13/16" [97]
35	7-15/16" [202]	4-1/8" [105]	3-13/16" [97]
40	7-5/8" [194]	4" [102]	3-5/8" [92]
42	7-1/2" [329]	3-15/16" [100]	3-9/16" [229]
55	7-5/8" [194]	4" [102]	3-5/8" [92]
64	7-15/16" [201]	4-1/16" [103]	3-7/8" [98]
CLEV	8-1/8" [206]	4-3/16" [106]	3-15/16" [100]



Through-Hole Specifications		
Min	Recommended	Max
Ø 1-1/4 [32]	Ø 1-3/8 [35]	Ø 1-3/8 [35]

Specifications subject to change without notice

Dimensions are inches, rounded to 1/16"
[Dimensions in brackets are mm, rounded to 1mm]