



A Division of
California Faucets

Decorative Trim for Bath & Kitchen
800-822-8855 www.calfaucets.com

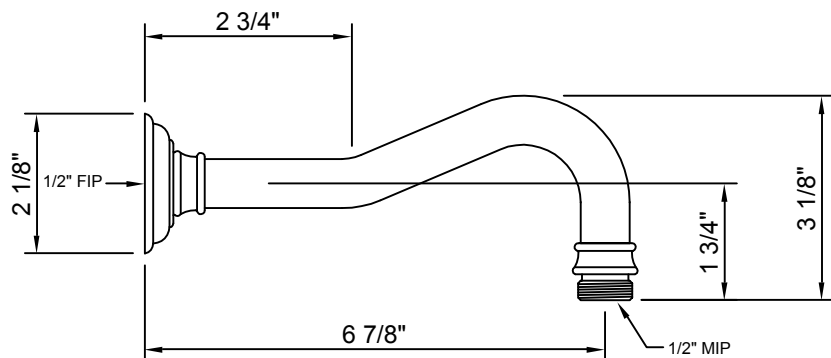
TRADITIONAL SHOWER ARMS

9114-7, 9114-10 & 9114-13

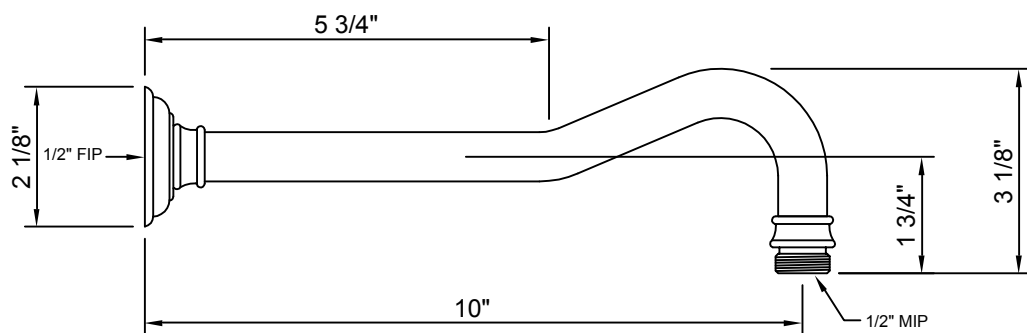


All California Faucets lever and
blade handle products are
American Disability Act (ADA) compliant.

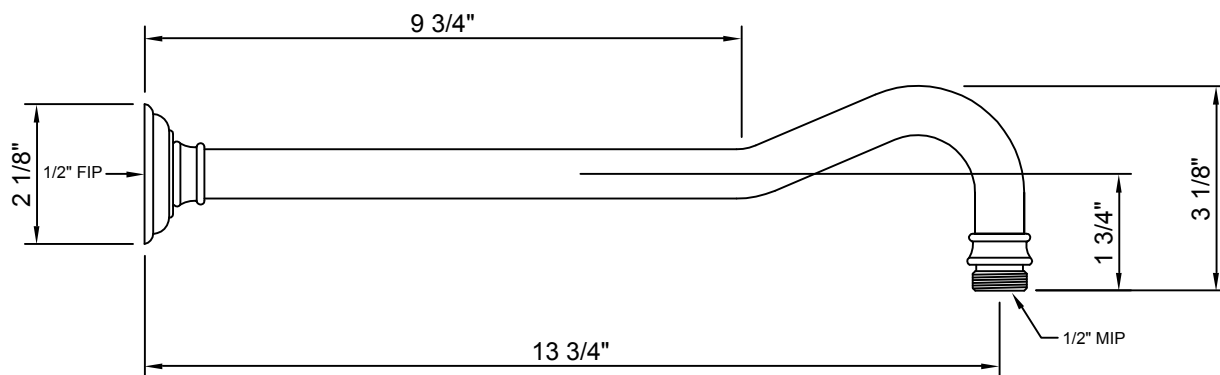
California Faucets reserves the right to make modification and specification changes at any time.
Please verify dimensions prior to installation. Visit www.calfaucets.com for most current technical data.



9114-7



9114-10



9114-13