

9625-K10, 9625-K30, 9625-K50, 9625-K51, 9625-K55 & 9625-K81 Kitchen Hot Water Dispenser Installation Instructions

CALIFORNIA FAUCETS RECOMMENDS THAT ALL PLUMBING PRODUCTS BE INSTALLED BY A LICENSED PROFESSIONAL

IMPORTANT: Read all instructions prior to installation and provide copy of instructions to consumer.

Operating Specifications:

Recommended Supply Pressure: 20 to 70 psi †

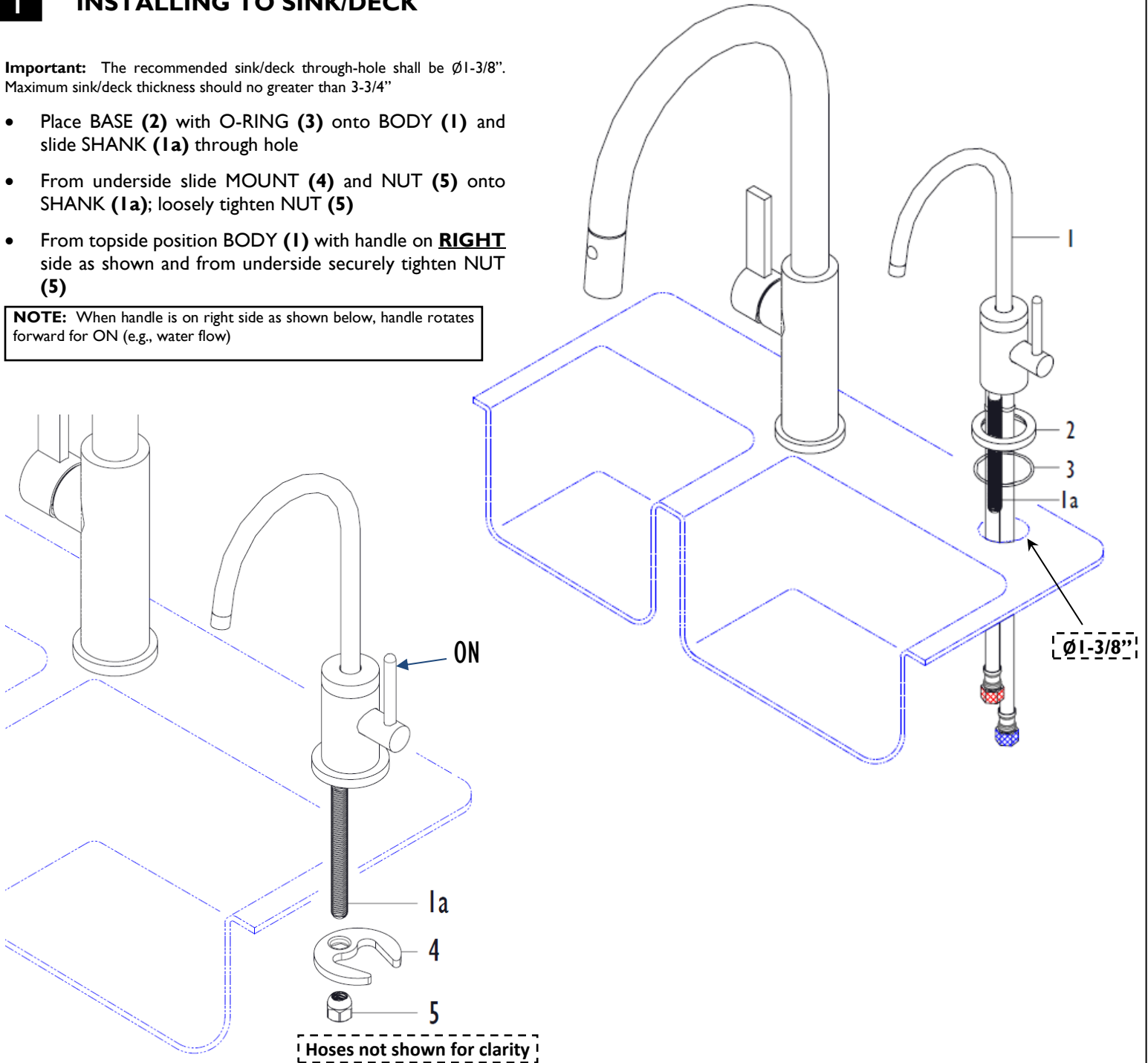
† If water pressure exceeds 70 psi, install a Pressure-Reducing Valve (PRV).

I INSTALLING TO SINK/DECK

Important: The recommended sink/deck through-hole shall be $\varnothing 1-3/8"$. Maximum sink/deck thickness should no greater than 3-3/4"

- Place BASE (2) with O-RING (3) onto BODY (1) and slide SHANK (1a) through hole
- From underside slide MOUNT (4) and NUT (5) onto SHANK (1a); loosely tighten NUT (5)
- From topside position BODY (1) with handle on **RIGHT** side as shown and from underside securely tighten NUT (5)

NOTE: When handle is on right side as shown below, handle rotates forward for ON (e.g., water flow)



WARNING:

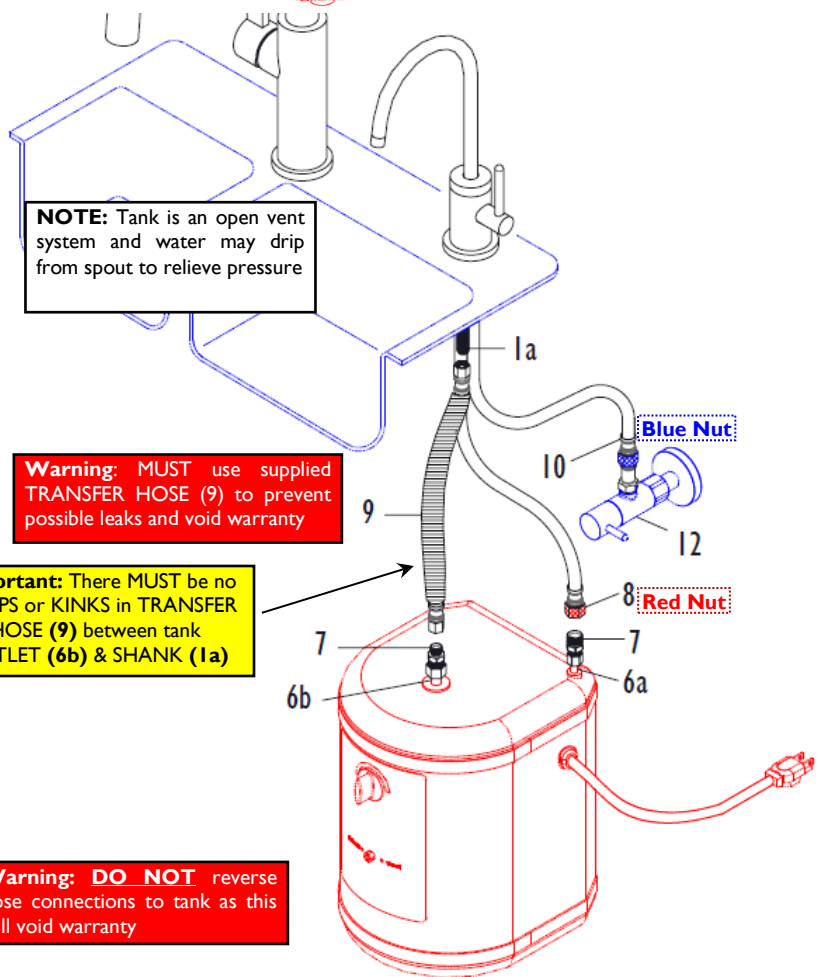
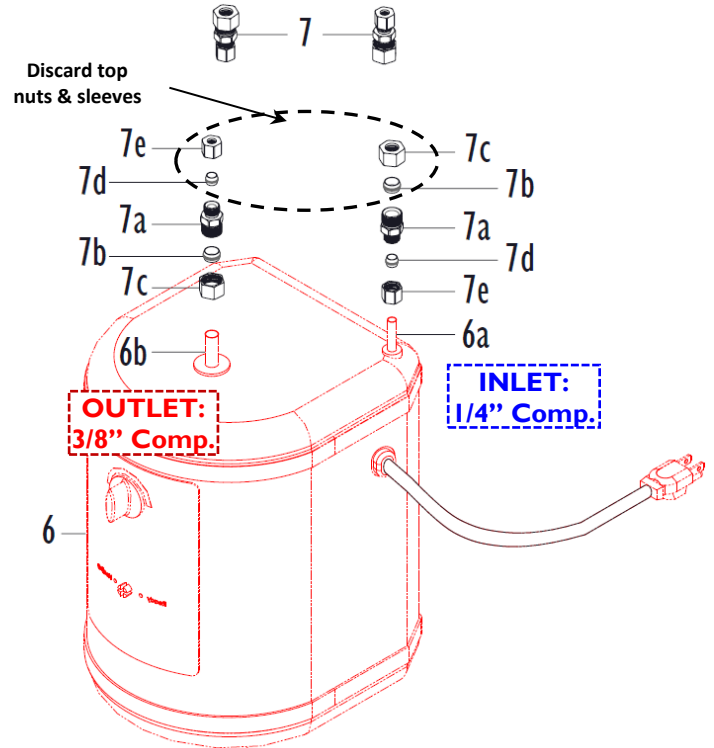
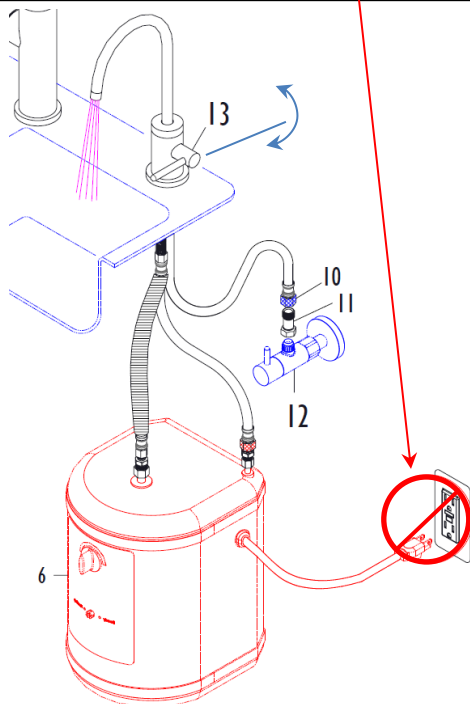
Hot water tanks can be dangerous if not installed properly pursuant to specific manufacturer instructions. California Faucets recommends the use of California Faucets **Hot Water Tank Model 9628SS**. California Faucets has no affiliation with any hot water tank manufacturer other than supplier of 9628SS. Our customers are encouraged to retain only qualified, licensed installers as California Faucets is not responsible for any defects related to the hot water tanks or the defective installation of the same.

Important: The recommended hot TANK (6) **MUST** have fittings that are 1/4" compression inlet and 3/8" compression outlet

- Remove and discard from one of the COUPLING (7) one 1/4" NUT (7e) & SLEEVE (7d) from the other COUPLING (7) remove & discard one 3/8" NUT (7c) & SLEEVE (7b)
- Place 1/4" compression NUT (7e) & SLEEVE (7d) onto hot tank INLET (6a) slide coupling BODY (7a) on and securely tighten 1/4" compression NUT (7e) to coupling BODY (7a)
- Place 3/8" compression NUT (7c) & SLEEVE (7b) onto hot tank OUTLET (6b) slide coupling BODY (7a) on and securely tighten 3/8" compression NUT (7c) to coupling BODY (7a)
- Tighten hose from dispenser with RED NUT (8) to COUPLING (7) at tank INLET (6a)
- Tighten one end of TRANSFER HOSE (9) to dispenser SHANK (1a) and other end to COUPLING (7) at tank OUTLET (6b)
- Tighten FLOW RESTRICTOR (11) to water supply VALVE (12) (not included) and tighten hose from dispenser with BLUE NUT (10) to FLOW RESTRICTOR (11)
- Turn on water supply VALVE (12) and operate dispenser by rotating HANDLE (13); check for leaks and adjust as necessary

NOTE: To fill TANK (6) hold HANDLE (13) open until water flows from spout

Warning: DO NOT connect hot TANK (6) to electrical prior to reading Hot Tank 9628SS installation instructions



NOTE: Tank is an open vent system and water may drip from spout to relieve pressure

Warning: MUST use supplied TRANSFER HOSE (9) to prevent possible leaks and void warranty

Important: There MUST be no LOOPS or KINKS in TRANSFER HOSE (9) between tank OUTLET (6b) & SHANK (1a)

Warning: DO NOT reverse hose connections to tank as this will void warranty