



# S19390-FW Gravity Fed Safety Shower

- Ideal for locations where plumbed water supply is not available.
- No electrical requirements.
- Classified by Underwriters Laboratories Inc. to ANSI/ISEA Z358.1.
- Two piece water tank enclosure and steel frame construction for easier installation and maintenance.
- Frame and tank enclosure design based on International Building Code and ASCE Code
- Rated for installation indoors or in locations above freezing (32°F/0°C)
- 550 gallon tank provides ANSI/ISEA Z358.1 required 15 minute flush for simultaneous drench shower and eye/face wash activation
- Mechanical water level indicator and thermometer included

## Standard Equipment

### Safety Shower, Eye/Face Wash

The standard plastic showerhead is specially designed to exceed the flow and wash pattern requirements of ANSI/ISEA Z358.1. The showerhead can be unscrewed for cleaning. Shower is activated by a stainless steel pull rod.

The Halo eye/face wash system offers a high performance rinsing platform that provides rapid relief to an individual's eyes that have been injured by chemicals or particulates. The eye/face wash provides water at a safe velocity while maintaining its effectiveness (exceeds minimum water flow of 3.0 GPM (11.4 L)). The eye/face wash is protected by flip open dust covers that open when the product is activated by type 304 stainless steel push handle. Eye/face wash sprayheads are made from an impact resistant ABS plastic.

### Water Tank and Enclosure

The 550 gallon tank is made of high density polyethylene and surrounded by insulation and a safety yellow painted steel enclosure. An accessible manhole cover is located on top of the water tank. The water tank supplies enough water to provide the ANSI required 15 minute flush for simultaneous drench shower and eye/face wash activation. The 2" thick insulation around the water tank has a factor protection rating of R-10. The top of the tank enclosure is hinged and balanced with gas springs for easy opening.

Integral forklift slots located on the underside of the tank enclosure make initial installation easier. During installation, the tank enclosure is fastened to the steel frame using fasteners. A forklift can also bring the tank enclosure down to ground level if needed for cleaning or maintenance.

### Steel Frame

The steel frame is designed to support all components and a full water tank. It is composed of 2" square steel beams with welded joints. It must be secured to a suitable concrete pad using (8) 1/2" diameter anti-corrosion expansion anchors (installer provided). Once properly secured, the steel frame structure is designed to withstand a continuous horizontal wind load of 82 mph. Painted safety yellow to protect against corrosion.

### Water Connection

1-1/2" cam lock water connection to fill the tank is available at ground level for safety, and is also more convenient for filling the tank with potable water.

### Water Level Indicator

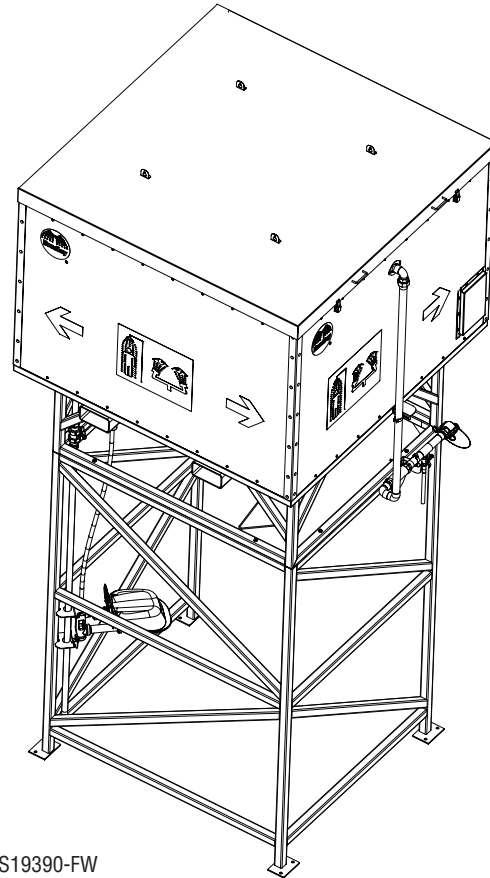
A mechanical float inside the water tank is linked to an exterior water level indicator to easily allow the tank water level to be checked at all times.

### Water Temperature Thermometer

A water thermometer is always included on the front exterior wall of the tank to allow for monitoring of the water temperature.

### Bowl and Dust Cover

Bowl and dust cover are constructed of yellow impact-resistant plastic.



Model S19390-FW

## Code Compliance and Certifications



UL Classified to ANSI/ISEA Z358.1



**Bradley Gravity Fed Safety Showers are non-cancelable, non-refundable and non-returnable.**

### Model

S19390-FW

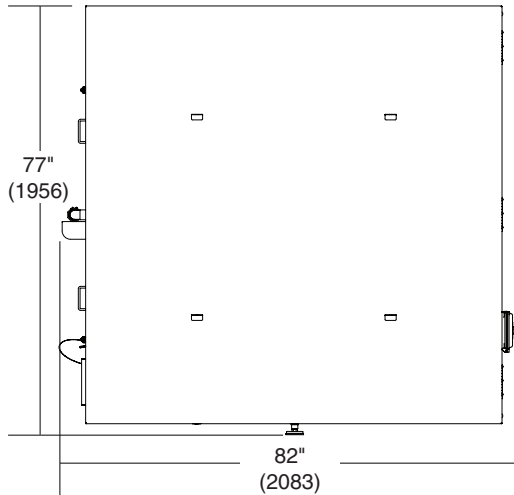
Gravity Fed Safety Shower (No Electrical)



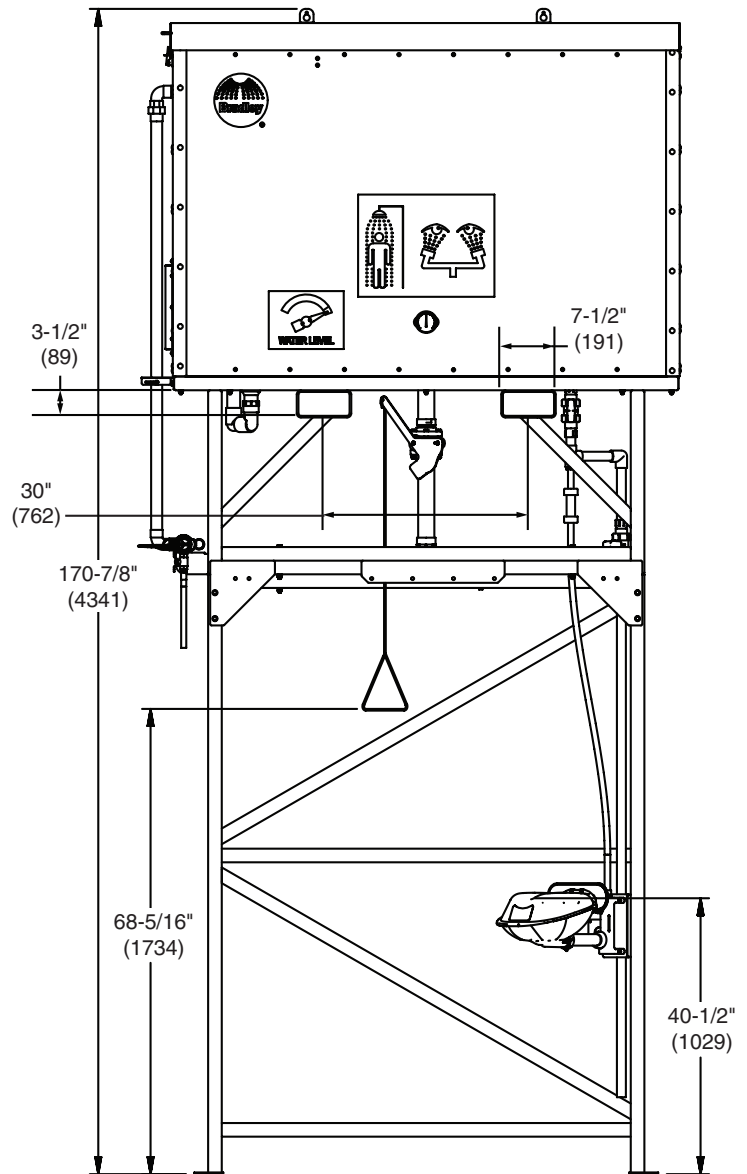
# S19390-FW Gravity Fed Safety Shower

(mm)

### Top View



### Front View





# S19390-FW Gravity Fed Safety Shower

Left Side View

(mm)

