

Installation

S19392 Series

Enclosed Outdoor Gravity Fed Safety Shower

General Area

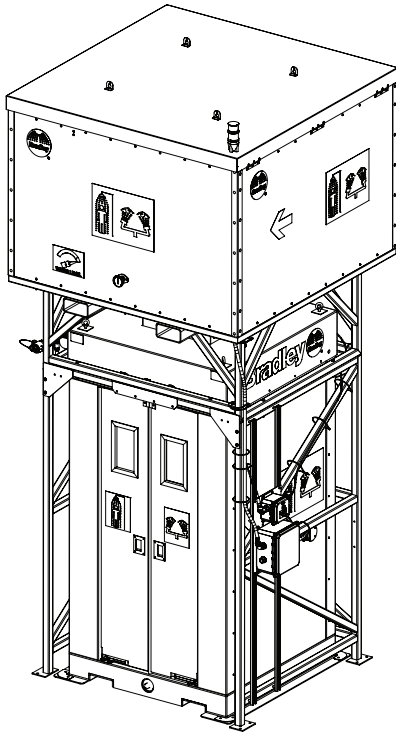


Table of Contents

Safety Information	2
Dimensions	3-4
Shipping and Handling Instructions	5
Gravity Fed Safety Shower Preconstruction Guide	6
Storage and Preservation Guide	7
Secure Frame to Concrete Pad	7
Prepare Enclosure	8
Electrical Connections	9
Filling Water Tank	10
Signaling System Maintenance	11
Energizing the Unit	11
Test the Signaling System	11
Monthly Inspection Checklist	13
Troubleshooting	14



Read the instructions in this manual before beginning installation. Save these instructions and refer to them for inspection, maintenance and troubleshooting information.

For questions regarding the operation, installation or maintenance of this product, visit bradleycorp.com or call 800.BRADLEY (800.272.3539).

Product warranties and parts information may also be found under "Products" on our website at bradleycorp.com.



Safety Information

To reduce the risk of serious injury or death:

Installation

The installation and location of all safety drench showers, eye and eye/face washes must comply with the requirements of ANSI/ISEA Z358.1.

Before installation make sure that this equipment will meet the requirements of potential hazardous contaminants in your location.

Workers who may come in contact with potentially hazardous materials should be trained regarding the placement and proper operation of emergency equipment per ANSI/ISEA Z358.1.

Installation of this system must be completed by a qualified plumber and electrician in compliance with all national and local codes. Compliance and conformity to drain requirements and other local codes and ordinances is the responsibility of the installer.

This unit is to be used with clean, potable water as defined by ANSI/ISEA Z358.1. Bradley recommends the use of water preservative with this unit. Water preservative may be purchased from various distributors; please contact your local distributor. If algae or other containments are allowed into the tank or develop in the tank the shower may not function properly.

Weekly Inspections

Make sure the shower and face wash fixtures are ready to be used when needed by performing regular checks and maintenance. Weekly inspections must be conducted on all self-contained safety equipment to make sure a suitable flushing fluid supply is present, check if fluid needs to be changed or supplemented, and to make sure the equipment is in good operating condition. See page 13 for additional information.

Water Temperature

ANSI/ISEA Z358.1 requires tepid water. Suitable range is 60°F to 100°F (16°C to 38°C). Personal injury is possible outside this temperature range. If ambient temperature may drop below 60°F (16°C), install a heater with a continuous power supply. If model selected does not include tank water heater, the ambient temperature will affect the tank temperature and must be placed in an appropriate location.

Moving the Tank

Drain the tank completely before moving. Lifting or moving a tank with water may cause damage to the unit or a loss of stability when in motion.

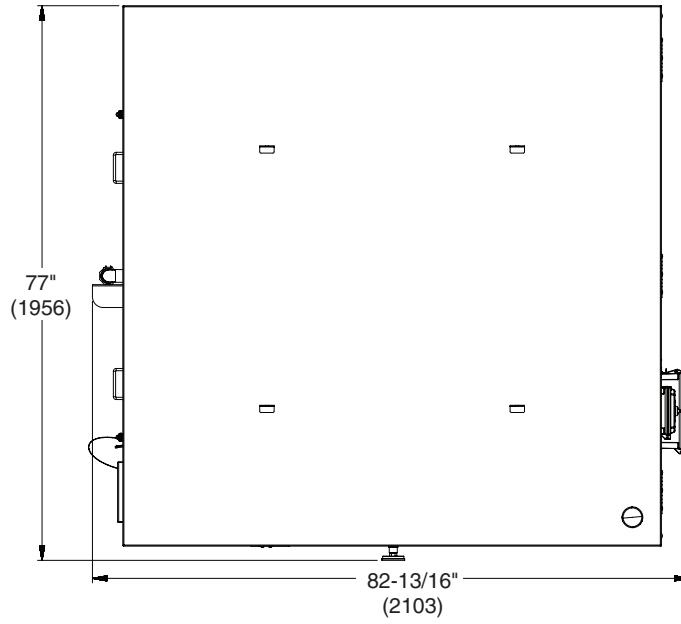
To avoid product or property damage:

- Make all water and electrical connections at temperatures above freezing (32°F (0°C)).

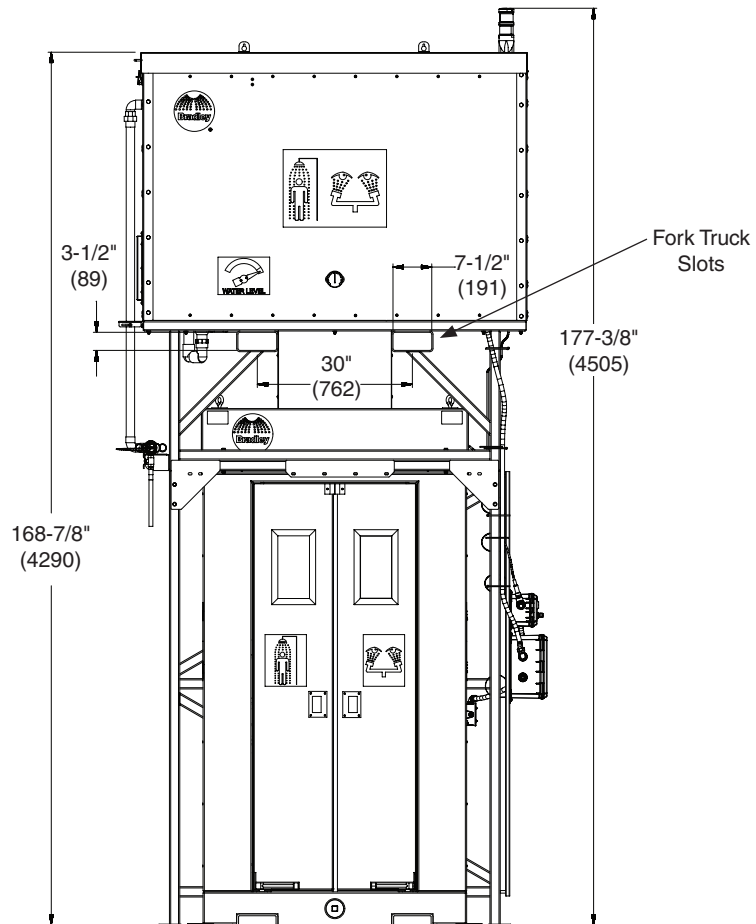
Dimensions

(mm)

Top View



Front View

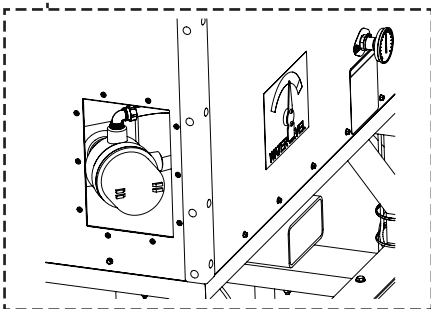
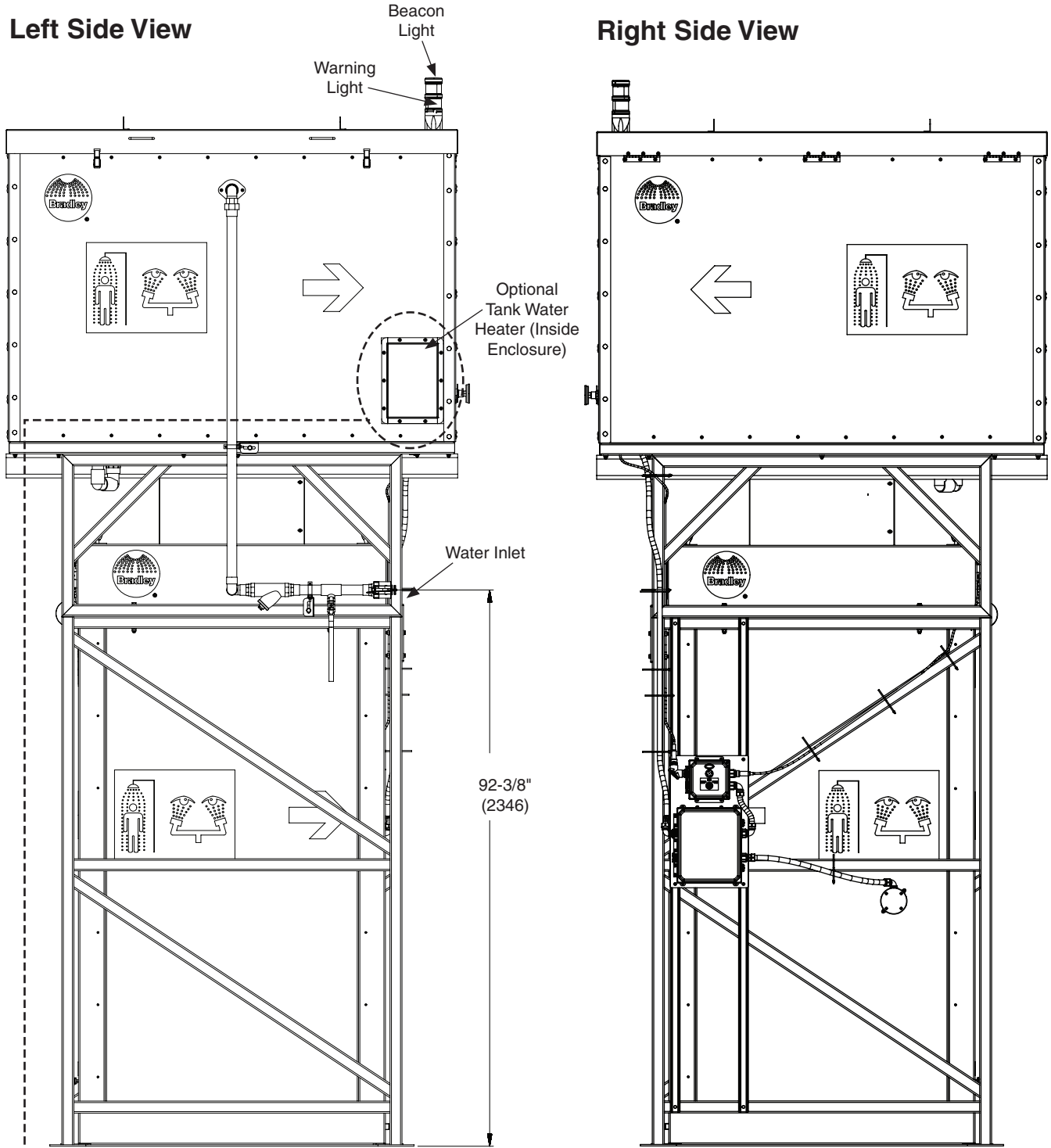


Dimensions

(mm)

Left Side View

Right Side View



See water heater manual to adjust temperature.

Shipping and Handling Instructions

Base Model No.	Description	Approximate Total Weight (less shipping skids)
S19392	Enclosed Outdoor Gravity Fed Safety Shower	2800 lbs.*

*Weight will vary depending on options selected.

Transporting the Gravity Fed Safety Shower

Bradley Safety Showers are transported within the continental United States and Canada via commercial truck. Unit ships in three pieces (steel frame, enclosed water tank and lower shelter). See page 8.

⚠ WARNING Always use proper lifting techniques when moving the safety shower. Weight distribution is unbalanced, and the product may tip over if lifted improperly. Make sure lifting equipment is properly rated for this load. Overloading could cause serious injury or death from tip over.

Bottom Lift: Locate lifting points at base of tank enclosure or shipping pallet. **NOTICE:** Lifting eyelets on top of tank enclosure are only for lifting the cover. Do not use to lift the entire tank.

If immediate destination of the unit is storage, refer to the Storage and Preservation Guide.

Each shower will be accompanied by document packaging that includes the installation instructions and electrical schematics, if applicable. Store safety enclosure documents for reference.

If equipment is relocated, always perform a functional test before returning to service.

⚠ WARNING Drain the tank completely before moving. Lifting or moving a tank with water may cause a loss of stability and tipover.

Storage and Preservation Guide

Keep Bradley Enclosed Outdoor Gravity Fed Safety Shower stored in original packaging until installation.

- Store Bradley Enclosed Outdoor Safety Shower where temperatures are above 35°F (5°C) at all times.
- Indoor storage is recommended.
- Minimize excessive transportation around a job site to reduce risk of damage.

If the Bradley Enclosed Outdoor Safety Shower is stored in an outdoor environment, care should be taken to protect the Safety Shower from rain or other falling precipitation via tarp or other waterproof material and from runoff and accumulation of ground water from any source that may exceed 3" depth.

Enclosed Outdoor Gravity Fed Safety Shower Preconstruction Guide

Thank you for your business. The purpose of Bradley's Enclosed Outdoor Gravity Fed Safety Shower preconstruction guide is to provide important pre-installation information to the customer that has determined their product specification needs are met by an Enclosed Outdoor Gravity Fed Safety Shower configuration. For system details refer to Bradley's Product Technical Data sheets. If additional information is still required contact the Bradley Corporation Technical Service Department.

Technical Documents Available

- Product Technical Data Sheets
- Storage and Preservation Guide
- Installation Instructions

Recommended Equipment, Materials and Supplies to be provided by Installer

- Concrete slab rated to support a minimum 6000 psi vertical static load. The slab should be sufficiently anchored to resist upheaval or movement due to environmental causes such as wind loads on the shower.
- Drain able to accommodate 30 gpm discharge for shower and eye/face wash.
- (16) 1/2" diameter Anti-Corrosion Expansion Anchors (2 per mounting plate)
- Properly rated lifting equipment which exceeds the total weight of the shower unit
- Electrical supply materials (if applicable)
- Plumbing supply materials (if applicable)

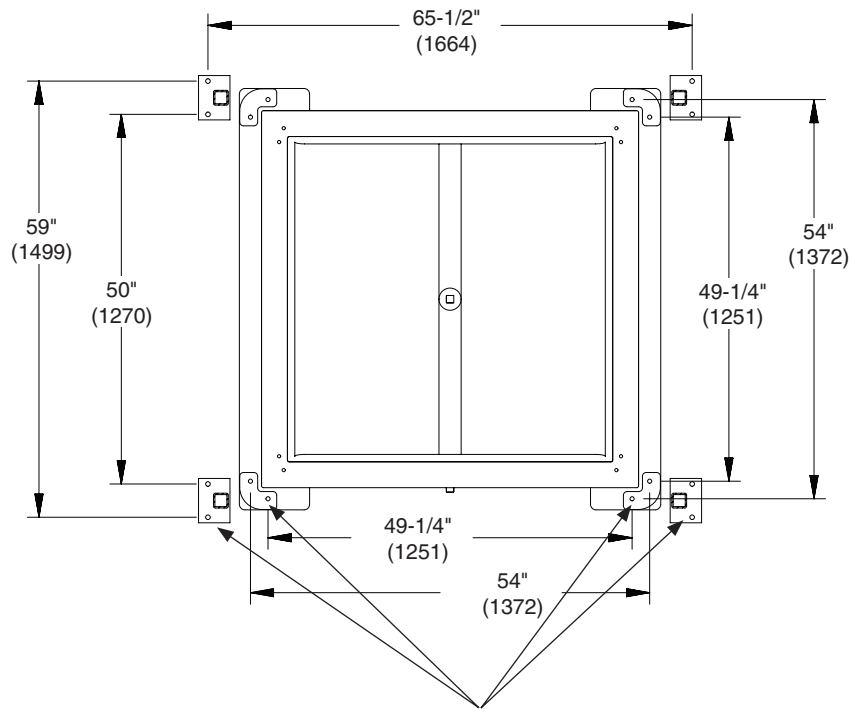
Pre-installation Instructions

IMPORTANT: Separate parts from packaging and make sure all parts are accounted for before discarding any packaging material. If any parts are missing, do not begin installation until you obtain the missing parts.

- Survey the facility to ensure that the appropriate flushing system is installed per the ANSI/ISEA Z358.1 requirements. Identify a location that is capable of delivering a supply of power which will meet system electrical requirements (if applicable).
- Review minimum electrical requirements based on the unit and options selected. Refer to wiring schematic or system rating labels provided with unit.
- Confirm that the installation area is level.
- If concrete is not already present, pour a 6000 psi-rated concrete pad 80" x 72" minimum. The thickness and foundation for this pad should be designed and constructed to meet the requirements of each site.
- Make allowances to ensure the electrical system is grounded prior to connecting power to the enclosure.

Secure Frame to Concrete Pad

1. Place the frame in position on the resting pad, centering the unit on the concrete pad. Shelter should be located inside the frame (as shown). Crash doors should not face prevailing winds or should be located behind protecting objects that block the crash doors from oncoming winds. Upper frame cross member can be removed to position shelter inside frame assembly and then reassembled.

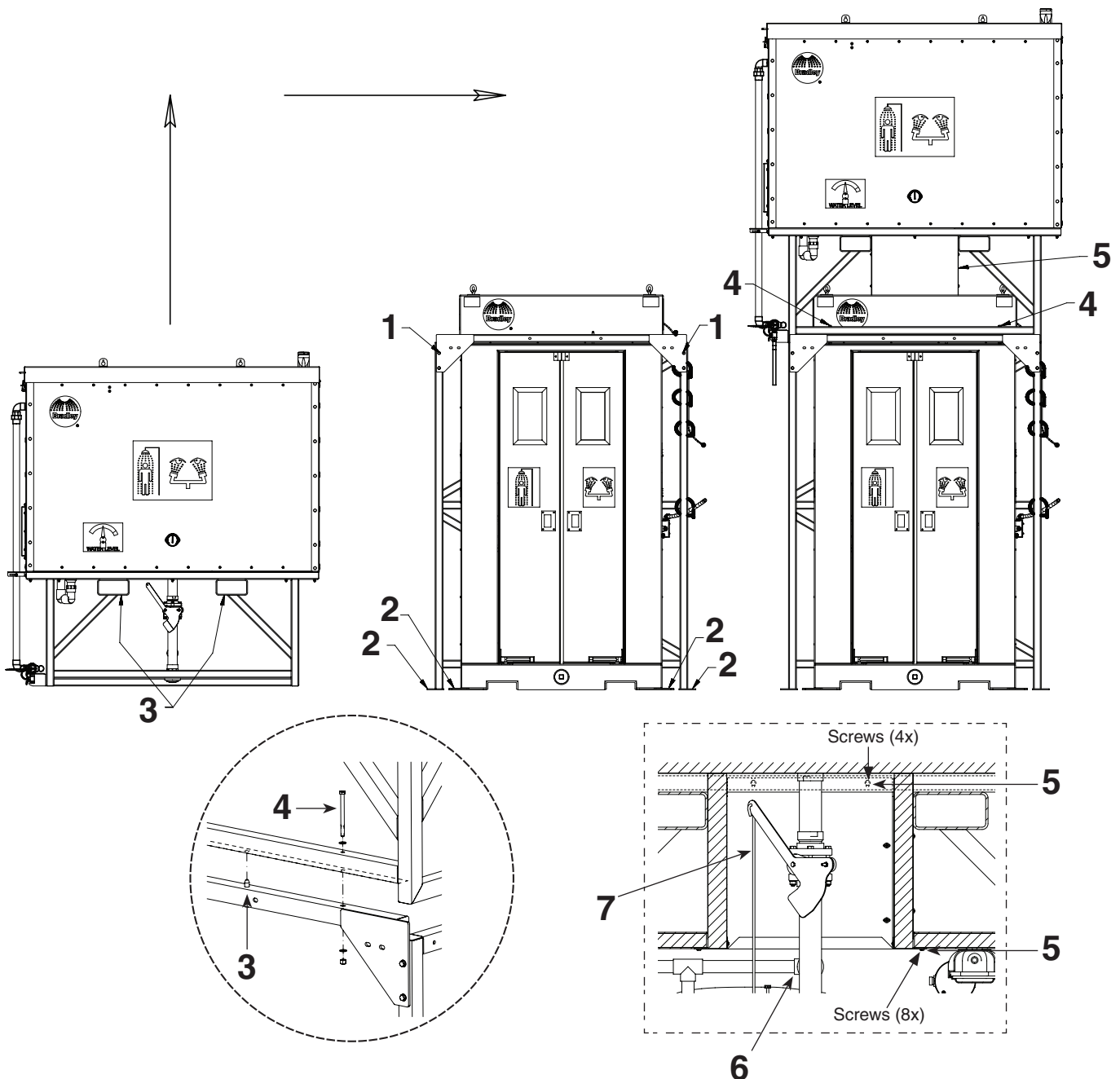


2. Secure both the frame and the shelter to the concrete pad using suitable concrete anchoring devices supplied by the installer. Anchoring devices must be a minimum 6" long and 1/2" diameter, with 2 per corner of the frame and 2 per corner of the shelter.

⚠ WARNING Follow anchor manufacturer's instructions and local requirements to make sure frame is securely connected to the concrete pad.

Prepare Enclosure

3. Use a properly sized fork truck to place the empty tank enclosure onto the frame (secured to the concrete pad in **Secure Frame to Concrete Pad, pg. 7**). Locate the tank enclosure on the frame, aligning the two guide pins on the top of the frame with the corresponding holes in the bottom of the tank enclosure. **Notice:** *The 4 eyelets are only for lifting off the cover to maintain or repair the water tank or other components in the enclosure.*
4. Fasten the two components together with the supplied fasteners (8 sets of 3/8" fasteners). Tighten nut securely.
5. Slide the shower connection shroud up from inside the shelter. Attach inside to the ceiling with the supplied hardware (8x). Attach from the front and back to the underside of the tank enclosure with supplied hardware (4x).
6. Attach the pipe unions that connect the optional eye/face wash and the tank drain to the corresponding pipe fittings below the tank.
7. Attach the shower's pull rod to the lever on the ball valve.



Electrical Connections

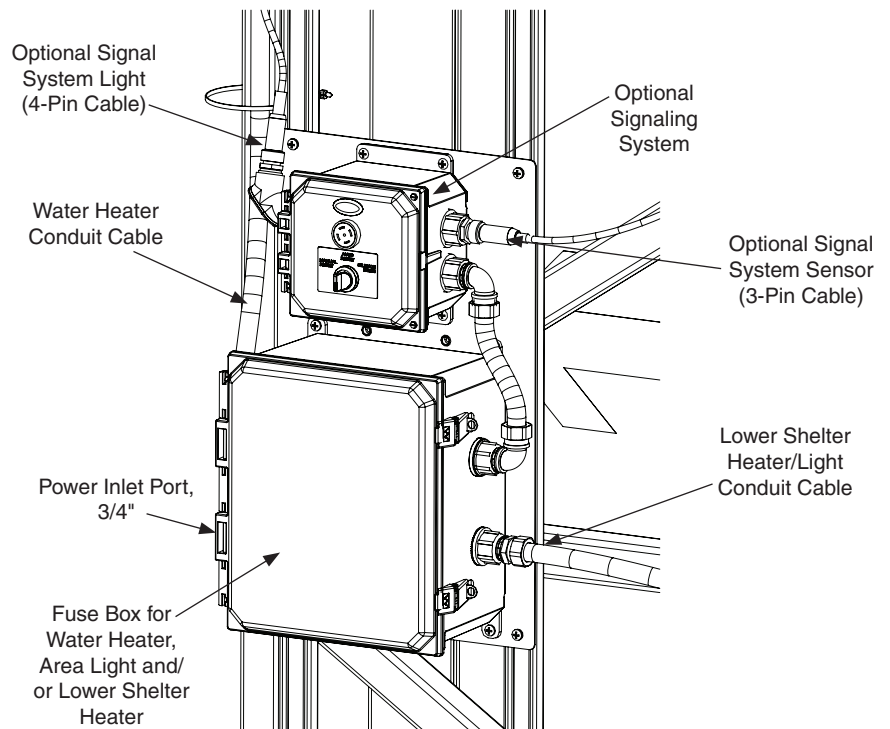
Some steps apply to optional components. Review and follow if applicable.

⚠ WARNING To prevent personal injury or damage to the electrical components, electrical connections should be made by a qualified electrician. Make sure electrical supply is disconnected (circuit protection to be provided by installer) and follow all lockout/tagout procedures when performing any electrical maintenance or installation/connection to the system.

NOTICE:

- It is recommended that installation be completed when ambient temperature is above freezing.
- To avoid damage to the water heater, do not power the water heater unless the tank is filled with water.

1. Verify that the electrical supply is disconnected.
2. Connect the optional signal system light 4-pin cable to the signal system box.
3. Connect the optional signal system sensor 3-pin cable to the signal system box.
4. Connect the 3-pin cable from the showerhead sensor to the junction box.
5. Connect the water heater conduit cable to the fuse box.
6. Connect the lower shelter heater/light conduit cable to the fuse box.
7. Install incoming power conduit to the electrical box (installer must provide suitable disconnect and circuit protection devices).
8. Refer to the system's electrical wiring drawings for proper connections.



Filling Water Tank

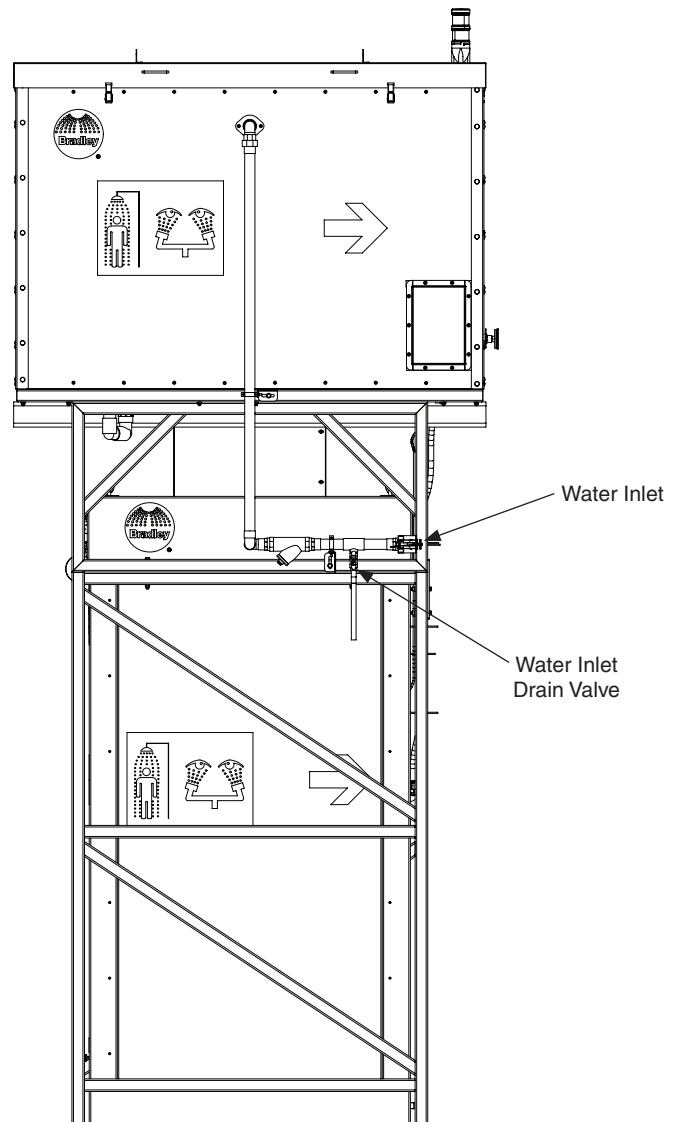
1. Connect the 3" drain stub to a suitable drain pipe. Ensure the remaining 2 drain holes in the shelter (front or bottom) are plugged.
2. Ensure the shower, eye/face wash and drain valves are in the closed position.
3. At the side of the tank where the water inlet plumbing is located, verify that the water inlet drain valve is closed. Remove the 1-1/2" cam lock plug from the fitting and connect a potable water source, then fill the tank with water. A float valve should limit the water allowed into a full tank, but care should be taken to not overfill the tank. The water level indicator on the front of the tank will show the water level.
4. When the tank has been at least partially filled (approximately 100 gallons or 350 liters minimum), or when the tank is full, the shower and eye/face wash should be activated briefly (10-20 seconds) to flush water through the fixtures and remove trapped air.

If the water flow pattern from the showerhead or eye/face wash is not stable or fully shaped, verify that there are no obstructions. The showerhead and the eye/face wash head can be removed for inspection and cleaning.

5. Add water preservative (not included) to the water tank by opening the tank enclosure cover and the inner tank lid. Follow the preservative manufacturer's instructions for proper use of their product.

Some water may need to be added to the tank to achieve full capacity after testing the fixtures.

6. Check for leaks at all connections throughout the system.
7. With the water supply turned off, open the water inlet drain valve to empty the water inlet piping, then disconnect the water supply. Replace the cam lock plug in the water inlet fitting and lock the cam levers in the closed position.



Energizing the Unit

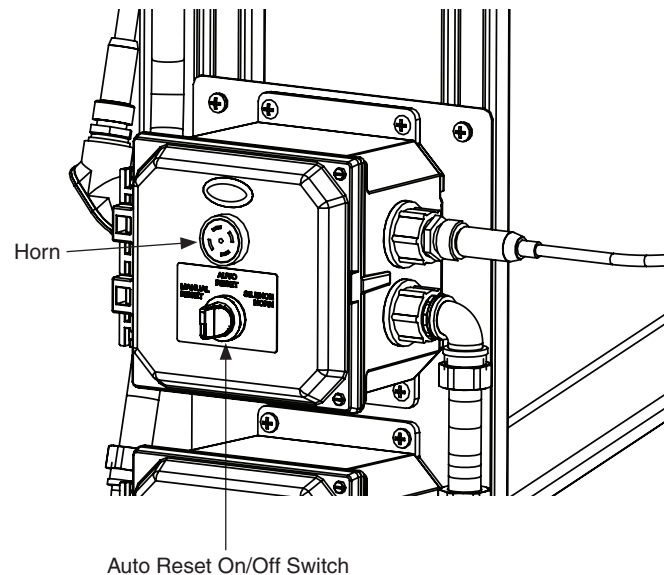
1. Verify that all water and electrical connections have been properly made.

⚠ WARNING To reduce the risk of electrical shock close all electrical boxes before energizing the unit.

2. Turn on the power at the electrical disconnect switch (supplied by installer).
3. Complete Startup Checklist and the Weekly Visual Inspection Checklist (included in this manual) at this time.

Test the Signaling System

1. Apply power to the alarm branch circuit. The alarm should remain in the OFF position and the beacon and area light illuminate (if applicable). The signal light will not illuminate.
2. Open the eye/face wash valve. The horn should sound and the signal light flash shortly after water flows from the system. If there is the optional beacon light, this beacon light will turn off once the fixture is activated (the signal light will stay on, flashing). The area light will always stay on.
3. If present, use the auto reset on/ off switch to silence the horn during a water-flow event. Toggling the switch to silence mode will shut off the horn but allow the signal light to keep flashing. All units can be silenced by deactivating the flow.
4. Shut off the eye/face wash flow valve. If applicable, the signal light should stop flashing and the beacon light will turn back on.



Discontinuing the flow will automatically reset the silence feature.

5. Repeat steps 1 through 4, this time using the drench shower only.

The signaling system is designed to work properly even if both the eye/face wash and drench shower are used simultaneously. The alarm will continue to operate so long as either the eye/face wash or drench shower is still in use.

S19392 Enclosed Outdoor Gravity Fed Safety Shower Start-up Checklist (some items refer to optional components)	Complete OK	Inspector Initials
System Flush (All Electrical Power off for System Flush)		
<ul style="list-style-type: none"> • Drain is attached and operational (if applicable). 		
<ul style="list-style-type: none"> • System has been flushed using the emergency fixture. 		
<ul style="list-style-type: none"> • Water is clear and free of any contamination, particles or discoloration. 		
<ul style="list-style-type: none"> • Check all system fittings for water leaks. 		
Bradley drench shower and eye/face wash activation checklist		
<ul style="list-style-type: none"> • The horn and warning lights have been activated when the shower and/or eye/face wash are running. 		
<ul style="list-style-type: none"> • The alarm silences and the warning light continues to flash when the horn silence button is depressed. 		
<ul style="list-style-type: none"> • All system fittings have been checked for water leaks. 		
<ul style="list-style-type: none"> • The water temperature at the drench shower and eye/face wash is tepid (per ANSI/ISEA Z358.1). If cold water is initially added to the tank, allow up to 20 hours for the water heater to warm the water. 		
<ul style="list-style-type: none"> • The proper spray pattern is maintained for the drench shower and eye/face wash for the duration of the test. 		
<ul style="list-style-type: none"> • The correct drain disposal rate is being maintained (no pooling of water above grate level), if applicable. 		
Bradley drench shower and eye/face wash deactivation checklist		
<ul style="list-style-type: none"> • After the shower and eye/face wash are all turned off, the warning light is turned off and the system is reset when the horn silence button is depressed for the second time. 		
Verify other enclosure system checks		
<ul style="list-style-type: none"> • The interior light is always on, if present, or turns on with motion, if motion sensor is present. (See motion sensor manual for adjustment to motion sensor timer.) 		
<ul style="list-style-type: none"> • The space heater is turning on and off properly and the thermostat is set to the desired temperature, if present. 		
<ul style="list-style-type: none"> • The doors swing freely and close properly. 		
<ul style="list-style-type: none"> • The shelter and control panel are not damaged (no cracks, voids, holes or other functional or structural issues). 		
<ul style="list-style-type: none"> • The certification and serial number labels are present. 		
S19392 Enclosed Outdoor Gravity Fed Safety Shower System Start-up and Test Checklist Completion & Approval		
System Serial Number:		
Inspection Date:		
Inspector Signature:		

Weekly Inspection Checklist

Survey the facility to ensure that the appropriate flushing system is installed per the ANSI/ISEA Z358.1 requirement. Safety Data sheets can help determine what flushing system is appropriate for your hazards.

S19392 Enclosed Outdoor Gravity Fed Safety Shower Weekly Inspection Checklist	Complete OK	Inspector Initials
Inspect water tank.		
• Verify tank is full.		
• Tank water should be changed per preservative manufacturer's instructions.		
Visually inspect lights.		
• Power disconnect switch is in the "ON" position (if applicable).		
• Beacon light is "steady on." If this light is blinking, troubleshooting may be needed to determine what is out of normal limits (if applicable).		
Inspect all eye/face washes and drench shower systems to ensure they are compliant in case of an emergency.		
• Replace any broken or missing parts immediately.		
• Remove any obstructions or trip hazards		
• Ensure the system is on the same plane as the hazard and within the minimum distance to the hazard.		
• Evaluate if the equipment needs to be protected against freezing.		
• Inspect the tank's water temperature to ensure it is tepid per ANSI/ISEA Z358.1.		
Document inspection on the unit's inspection tag and in any centrally-controlled documentation log.		

S19392 Enclosed Outdoor Gravity Fed Safety Shower Monthly Inspection Checklist	Complete OK	Inspector Initials
Activate all eye/face wash and drench shower systems to ensure they are compliant and operational in case of an emergency.		
• Use a Bradley drench shower tester with a bucket to contain the water released from the drench shower. Measure the water released from the shower to ensure it complies with the 20 gpm ANSI minimum flow requirements.		
• Activate the shower and face wash(if present) whenever the water tank is filled, or monthly, to verify normal water flow and spray pattern.		
• Turn OFF all water fixtures (shower and eye/face wash). Press the silence button to reset the system.		

Signaling System Maintenance

The Bradley Emergency Signaling System is designed to be virtually maintenance free. An occasional damp cloth wiping of the clear dust cover is all that is needed to ensure maximum visual attention-getting ability.

Troubleshooting

Should damage occur to the unit, it is recommended to contact the factory for repair instructions. Cleaning should be conducted using rinse down water, DO NOT USE STEAM TO CLEAN.

Problem	Cause	Solution
Low water flow at drench shower and/or eye/face wash	Debris in system.	Disassemble the showerhead, clean and reassemble. Unscrew the eye/face wash heads from the yoke, clean and reassemble. If still clogged, replace the heads.
	Empty water tank.	Fill the tank with clean, potable water.
Difficulty filling the water tank.	Wye strainer is plugged with sediment or algae.	Remove the strainer screen, clean and replace.
Water thermometer is not reading true temperature.	Component failure.	Drain the tank of water and replace the thermometer.
Water level gage is not reading the true water level.	Exterior arrow is loose on shaft.	Verify tank is full of water and fasten the arrow to the shaft so that it points to the "full" mark.
	Interior cable mechanism is loose, broken or jammed.	Inspect and adjust the cable mechanism by opening the cover of the tank enclosure or by opening the water heater access panel on the side of the tank enclosure.
	Water float inside the water tank contains water and does not float.	Replace the water float.
Water tank interior is dirty.	Cover of tank enclosure is not latched securely.	Inspect the two cover latches for proper movement and that the hook is adjusted and tightened to make the latch toggle closed while holding the cover snugly.
Cover of tank enclosure is very heavy to open.	One or both gas springs has failed. (Storage temperature inside the tank enclosure must be above -13°F.)	Open the cover so that there is no weight on the gas springs and prop open the cover with a suitably strong and secure object. Replace the gas spring(s). Carefully apply the cover weight and verify that it is properly balanced by the gas springs.
The signal light and horn (if applicable) does not operate when water flows.	No power to the signal station.	Check that the circuit breaker or fuse is supplying power to the signal station
	Component function.	Check the two 3 Amp 24VDC fuses on the printed circuit board in the signal system enclosure.
		Check the limit switches on the shower and the eye/face wash.
	No input power.	Check that there is 24VDC being supplied from the power supply mounted on the printed circuit board in the signal system enclosure.
Installation error	Check all electrical connections, including power supply at the quick-connect cable, from the signal system to the switch.	
Horn sounds and signal light does not light.	Component function.	Check light connections and filament in the light.
Beacon light does not operate. (This light should turn off when the signal light turns on and back on when the signal light turns off.)	Fixture in use.	Make sure that the switch contacts are open (horn and/or signal light are not ON).
	Power disconnected in error.	Check that the circuit breaker or fuse is supplying power to the signal station.
	Component function.	Check the 3 Amp 24VDC fuses on the print circuit board in the signal station enclosure.
	No input power.	Check that there is 24VDC being supplied from the power supply mounted on the print circuit board in the signal station enclosure.
	Component failure.	Check light connections and LED module in the light.
Area light does not operate.	No power to the fuse panel.	Check the incoming power.
	Component failure.	Check the 1/2 amp fuses in the fuse panel. If one or more fuses are blown, open and carefully check the circuit for shorts or electrical faults.
	Component failure.	Check the LED for functionality and replace if necessary.