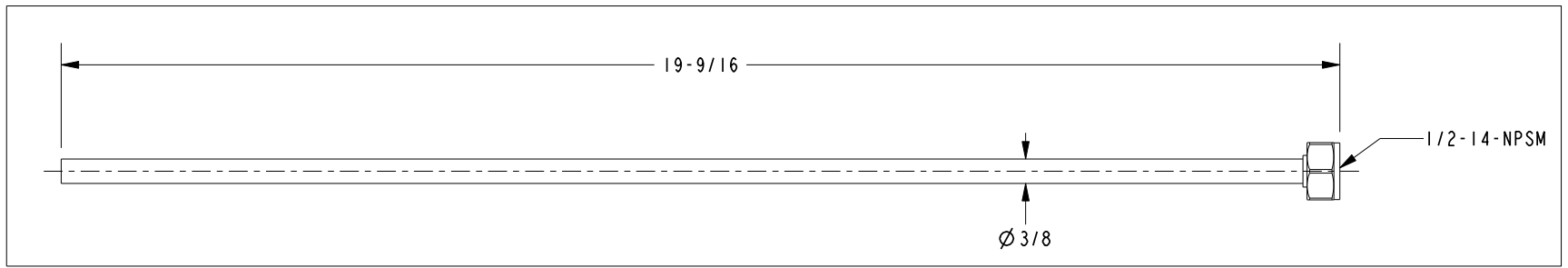
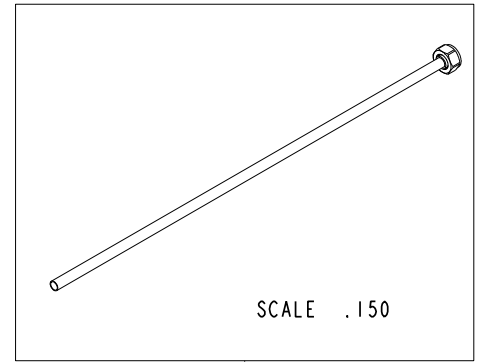
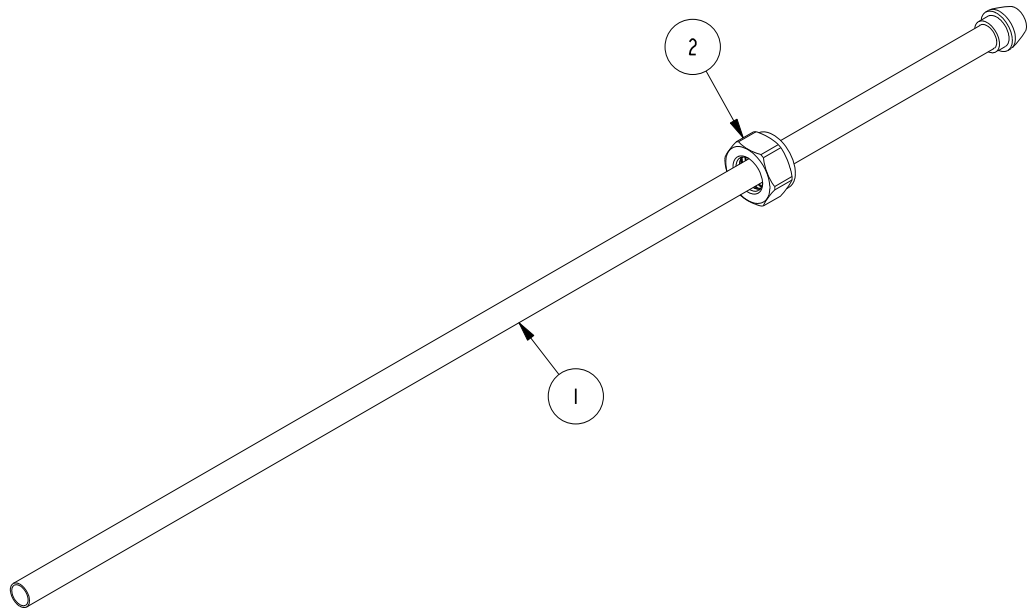


BILL OF MATERIAL (CURRENT LEVEL)				
ITEM	PT/ASSY	DESCRIPTION	TYPE	QTY.
1	50846	SUPPLY TUBE 3/8 (432)	PART	1
2	1-257	COUPLING NUT KIT	ASSEMBLY	1



COPYRIGHT 2005 BRASSTECH, INC. THESE DRAWINGS AND THE DESIGNS DEPICTED HEREIN ARE THE PROPRIETARY PROPERTY OF BRASSTECH. ANY USE OR REPRODUCTION IS SUBJECT TO THE EXPRESS APPROVAL OF BRASSTECH. UNAUTHORIZED USE IS STRICTLY PROHIBITED. ALL RIGHTS RESERVED.

BRASSTECH
INCORPORATED
2001 E. CARNEGIE AVE.
SANTA ANA, CA 92705
(949) 417-5207

SUPPLY TUBE 3/8

ASSY. NO.	432		B	EN-1919	10/11/11	
SCALE	.375	REF.	-	A	EO-0937	01/30/08
SHEET	1	OF	1	-	RELEASE	PRE '95
REV		REV	DESC		DATE	