

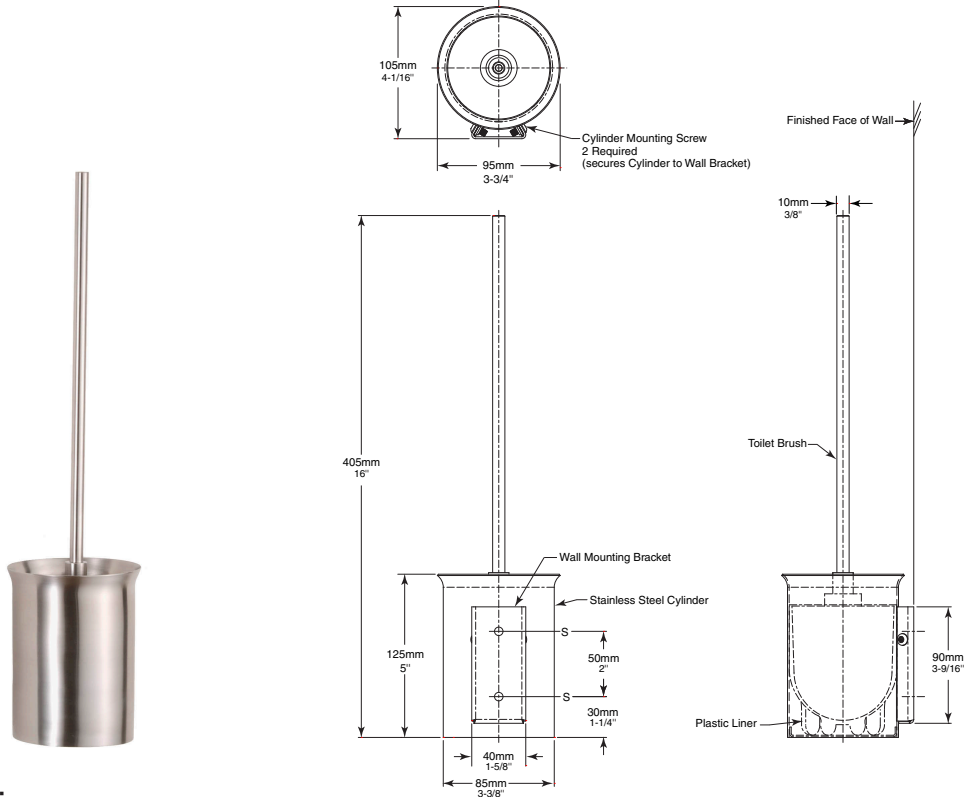


Technical Data

TOILET BRUSH HOLDER

B-544 B-5446

Specify Model Required: B-544 Satin-finish stainless steel
 B-5446 Bright Polished stainless steel



MATERIAL:

Toilet Brush — 18-8, type-304, 9.5mm (3/8") diameter, stainless steel, threaded into toilet brush head.

Plastic Liner — Leak-proof molded polyethylene. Supports Toilet Brush to maintain it in a vertical position. Removable for cleaning.

Cylinder — 18-8, type-304, 1.2mm (18-gauge) stainless steel, seamless construction.

Wall Bracket — 18-8, type-304, 1.5mm (16-gauge) stainless steel. Equipped with screws to secure cylinder.

INSTALLATION:

For plaster or dry wall construction, provide concealed backing to comply with local building codes, then secure unit with sheet-metal screws (not furnished). For other wall surfaces, provide fiber plugs or expansion shields for use with sheet-metal screws (not furnished), or provide 3mm (1/8") toggle bolts or expansion bolts.

For partitions with particle-board or other solid core, secure with sheet-metal screws (not furnished), or provide through-bolts, nuts, and washers. For hollow-core metal partitions, provide solid backing into which the sheet-metal screws (not furnished) can be secured.

SPECIFICATION:

Toilet Brush Holder shall be type-304 stainless steel with _____ (insert one satin finish or bright polished) finish. Toilet Brush Holder shall have 9.5mm (3/8") diameter toilet brush handle threaded into toilet brush. Unit shall be equipped with a removable, leak proof plastic liner to hold toilet brush in vertical position. Cylinder shall be 1.2mm (18-gauge), seamless construction. Cylinder shall be secured to the wall with screws secured into wall plate.

Toilet Brush Holder shall be Model _____ (insert model number) of Bobrick Washroom Equipment, Inc., Clifton Park, New York; Jackson, Tennessee; Los Angeles, California; Bobrick Washroom Equipment Company, Scarborough, Ontario; Bobrick Washroom Equipment Pty. Ltd., Australia; and Bobrick Washroom Equipment Limited, United Kingdom.