

CASPAR SMALL OVAL VESSEL

Cat. No
5-300



Natural Cement

Top Dimension: 16-⁵/₈" x 13-¹/₂"
 Bottom Dimension: 5-¹/₂" x 5-¹/₄"
 Above counter height: 5-⁵/₈"

Features:

- ▶ Seamless cement construction
- ▶ Above counter basin
- ▶ Mold casted basin is finished by hand
- ▶ No faucet holes
- ▶ 3 Layer coating provides waterproof basin that guards against cracking or scratching
- ▶ 7/8" Rim
- ▶ No overflow
- ▶ Available in 3 colors
- ▶ To be used with Grid Drain #5601 or Umbrella Drain #UD701 (Not included)

Colors:

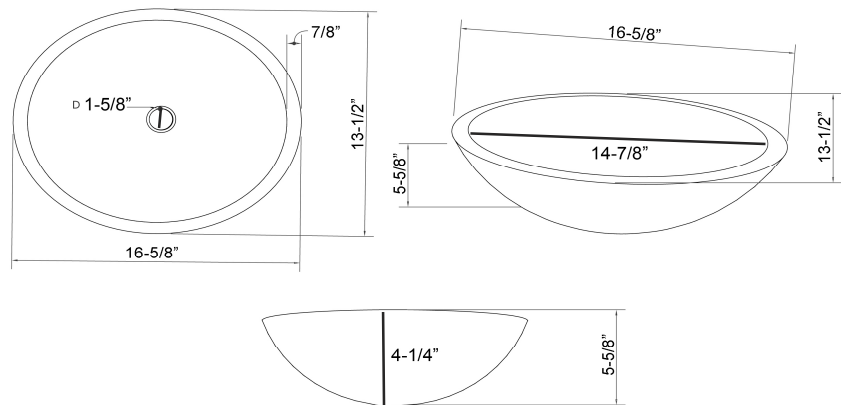
- CGC** Copper Green
- NC** Natural Cement
- VBC** Vintage Brown



Vintage Brown



Copper Green



Interior Dimensions:

Basin Interior: 14-⁷/₈" x 11-³/₄"
 Basin Depth: 4-¹/₄"

Dimensions of fixture are nominal and may vary slightly. Dimensions and specifications subject to change without notice.