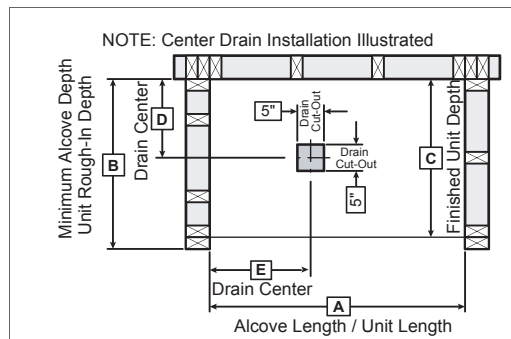


TECHNICAL SPECIFICATIONS

OPS-6036-RS - with ADA/ANSI Grab Bar and Seat

MODEL NUMBER 141339

DIMENSIONS: 60" x 36" x 76 5/8" Gelcoat



| Model | A | B | C | D | E |
|--------|--------|--------|--------|--------|--------|
| 141336 | 62 1/2 | 39 1/4 | 38 1/4 | 19 5/8 | 31 1/4 |

STANDARD FEATURES

- 1-piece roll-in shower reinforced according to FHA accessibility requirements
- One horizontal L-shaped grab bar (33" x 37") and one L-shaped fold up phenolic white seat
- Center drain
- Textured bottom
- 3/4" reduced skirt and 1/2" high threshold

UNIQUE FEATURES

- None

OPTIONS

- 72 in. White vinyl shower curtain with Stainless Steel hooks
- Chrome recessed soap dish (drilled, not installed)
- Solid Brass drain with Chrome plated Stainless Steel grid
- 60" Curtain rod

SYSTEMS

- None

CERTIFICATIONS

AKER products adhere to one or more of the following certifications:



Project :

Contractor :

AKER Representative : Tel :

Date :

TECHNICAL SPECIFICATIONS

OPS-6036-RS - with ADA/ANSI Grab Bar and Seat

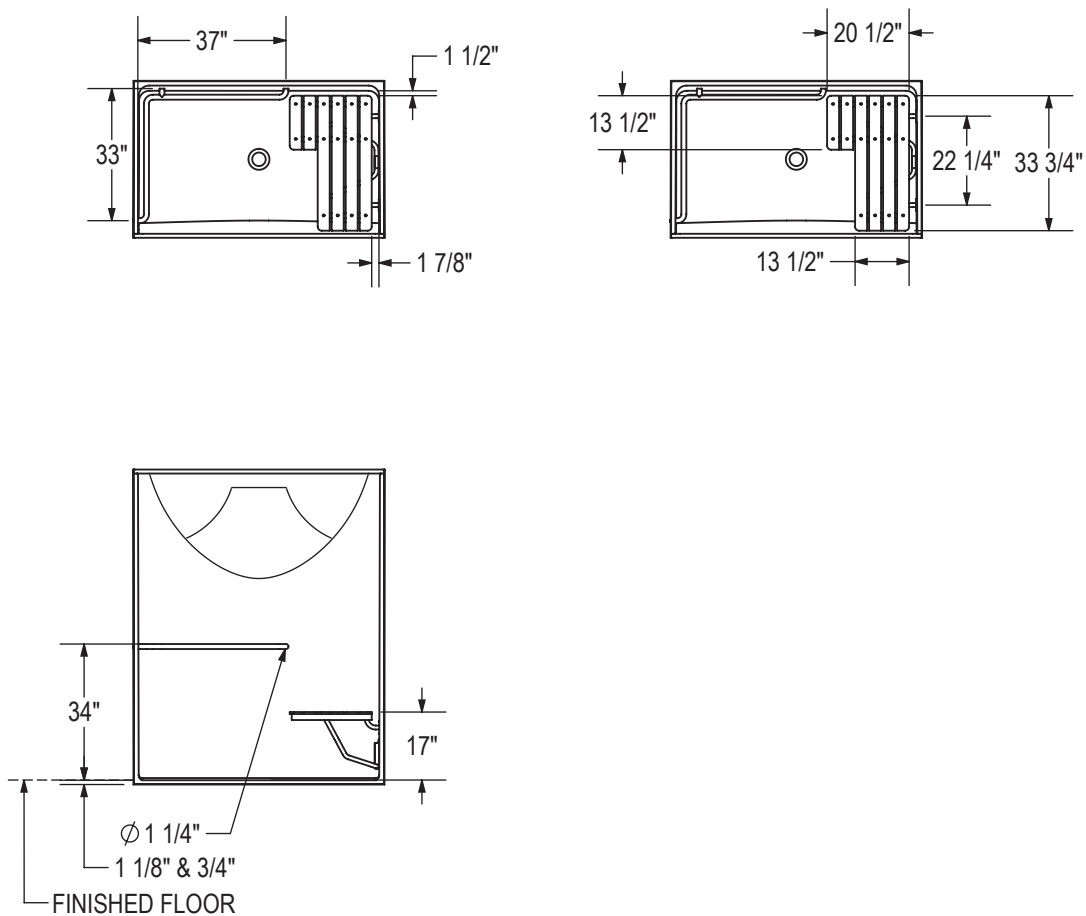
MODEL NUMBER 141339

TECHNICAL DRAWINGS

BASE MODEL WITH ADA/ANSI L-SHAPED GRAB BAR & SEAT PACKAGE

LEFT SIDE SHOWN

RIGHT SIDE SYMMETRICAL



All dimensions are approximate. Structure measurements must be verified against the unit to ensure proper fit.